

NCR-312-OVR

3MP Mini Bullet Camera, Smart IR with 25M, DWDR



Main Features

- 3MP @20fps, Full HD 1080P @30fps
- DWDR
- Mini Bullet Design
- Smart IR with 25M
- Support -20°C ~ 60°C/-4°F ~ 140°F

ONVIF



Product Overview

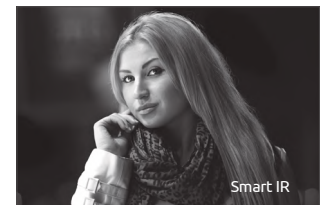
NEXCOM introduces new IR mini bullet type IP camera which is offering outstanding 3MP image quality. NCR-312-OVR, which is available for both indoor and outdoor working scenarios, is suitable for building surveillance solution, DWDR/Smart IR can overcome evariation light condition continued to provide crystal clear image output. IP67 makes IP camera ideal for all kind of extremely working behavior.

1080P @ 30 fps

NCR-312-OVR supports high-performance H.264/MJPEG compression technology and offers extra smooth video at up to 30 fps in 1080p. Furthermore, Video ROI [Region Of Interest] function reduce bandwidth and storage requirement, providing users with the best option in bandwidth flexibility and storage efficiency.

Smart IR

Smart IR is superior to the traditional IR by automatically adjusting IR output in response to the distance of the object in view. The closer the object, the dimmer the IR will be. This will avoid object over-exposure commonly seen in cameras using traditional IR functions. Over-exposure makes it almost impossible to accurately recognize human faces or other vital characteristics.



SR LED

Here's the comparison between conventional LED & SR LED

	SRLED	5ΦLED
QTY'	2	36
Effective distance	25M	25M
Power Consumption	0.45W	2W
Price	US 2/PCS	US 0.05/PCS
Lifetime	50000Hrs	5000~10000Hrs
Temperature	5°C~10°C	More than 10°C
Dimension	Smaller	Bigger

Specifications

Camera General Information

Image Sensor	1/3" 3MP progressive scan CMOS sensor
Minimum Illumination	B/W 0 lux/Color 0.1 lux
Lens	Fixed Lens 3.6mm F1.8(4.2mm / 6.0mm optional)
Field of View	diagonal 75°/horizontal 55°/vertical 93°
Iris Type	Fixed-Lens
Day and Night	YES
IR Distance	Effective up to 25 meter
IR Wavelength	850nm (2 pcs SR-LED)
IR Control	Smart IR
ICR	Yes
WDR	YES (DWDR)
Image Enhance	Brightness, Contrast, Saturation, Sharpness, Backlight compensation, Mirror, Flip, Day/Night, Anti-flicker

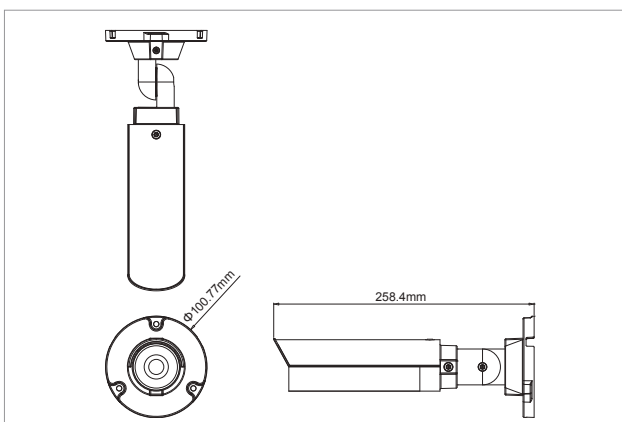
Video

Video Compression	H.264/M-JPEG
Video Streaming	Triple streaming
Video Resolution	2048x1536 to 320x240
Video Quality	VBR/CBR
Frame Rate	2048x1536 @20 fps 1920x1080 @30 fps 1280x720 @30 fps 720x576 @30 fps 720x480 @30 fps 640x480 @30 fps 320x240 @30 fps

Audio

Audio Streaming	N/A
Audio Compression	N/A
Audio Input	N/A
Audio Output	N/A

Dimension Drawing



Network

Interface	10/100/1000 Mbps Ethernet, RJ-45
Supported Protocols	HTTP, TCP/IP, UDP, RTP, RTSP, FTP, SMTP, DHCP, DNS, DDNS, NTP, uPnP, ONVIF, IPv4/v6
Browser	Internet Explorer (support up to IE 10), Chrome, Firefox, Safari
Security	Multi-level passwords/HTTP encryption

I/O Connector

Audio in/out Port	N/A
D I/O	N/A
RS485	N/A
Micro SD Card Slot	N/A
RJ45	YES

Event Management

Event Trigger	Motion detection
Notifications	N/A
Post Recording	YES
Pre Recording	YES

Power

DC/AC	N/A
PoE	YES/IEEE 802.3af

General

Power Consumption	7W max.
Weight	660g
Dimension	258.4mm(L)x100.77mm(W)x100.77mm(H)
Operating Temp.	-20°C ~ 60°C/-4°F ~ 140°F
Humidity	90%RH (no condensation)
Certification	CE/FCC
Vandal Resistant	N/A
Weather Proof	IP67
Application	SDK available for application development

Packaging Information

NWT	660g
GWT	920g
Dimension	324mm(D) x 151mm(W) x 152mm(H)

Ordering Information

- ◆ NCr-312-OVR (P/N: 10HR0031201X0)